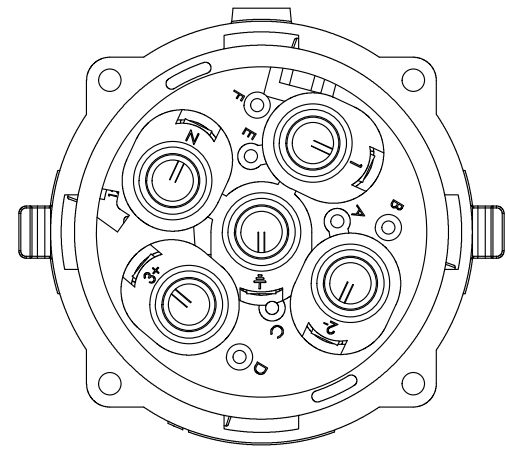
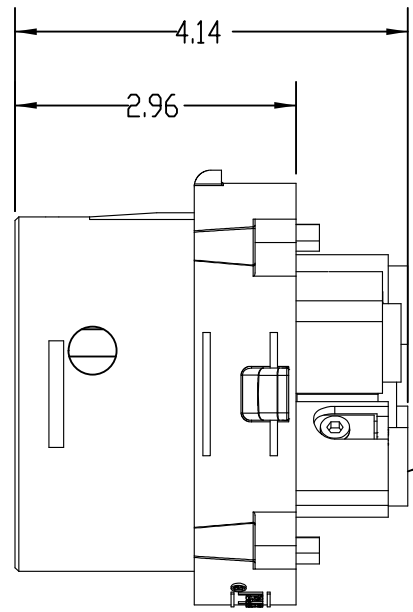
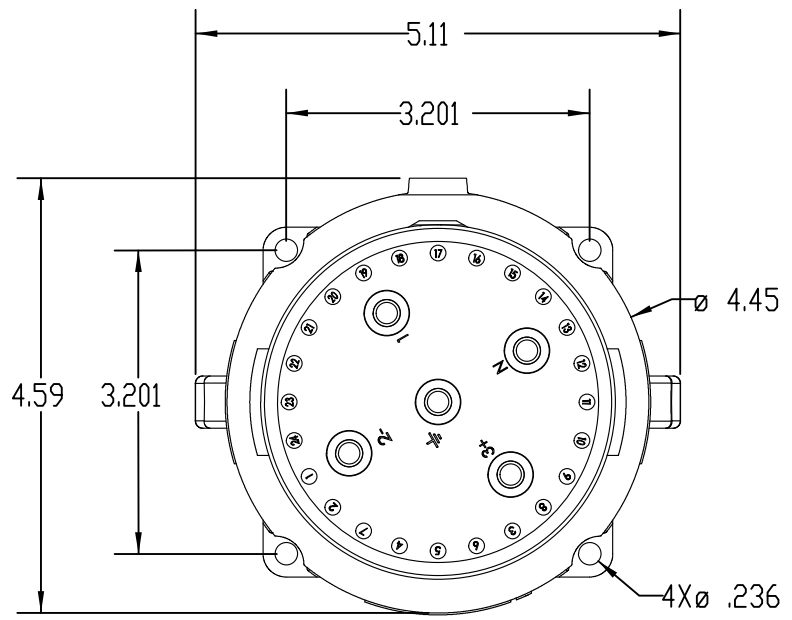
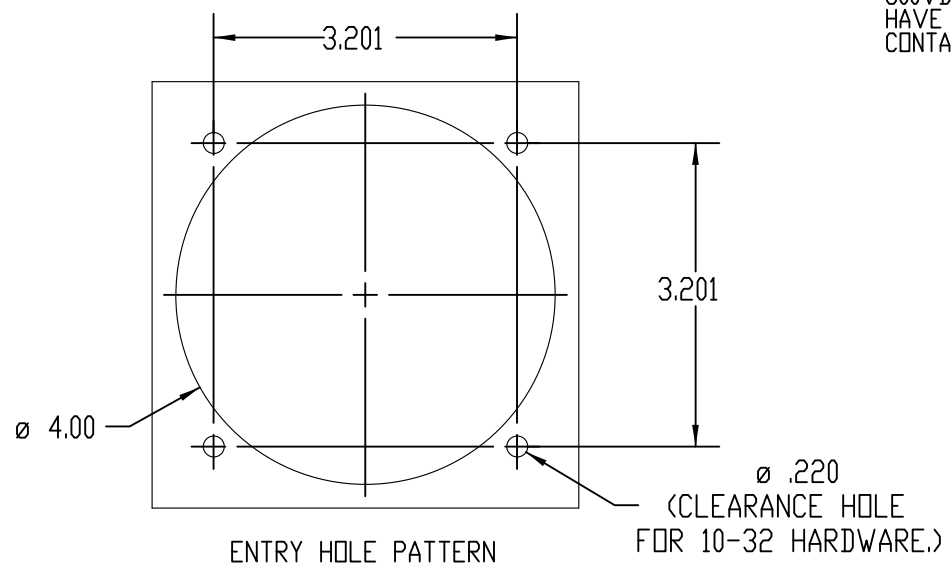


This drawing is the property of MELTRIC Corporation, Franklin (Milwaukee), Wisconsin, USA. Any unauthorized copying of this drawing by any means, or disclosure of its contents to any person not authorized by MELTRIC Corporation or its agents to receive it, is strictly prohibited.  
 ENG/RD/06 REV. 20 ISSUED DATE: 11/15/11



600VDC DEVICES WILL HAVE JUMPERS & EXTRA CONTACTS.



TOLERANCES UNLESS OTHERWISE SPECIFIED		<b>MELTRIC CORPORATION</b> DRAWN: _____ APPROVED: _____ DATE: _____ SCALE: NTS MATERIAL: BLUE POLY CASING SHEET: 1 OF 1 PART NUMBER: 33-98xxx(-xxx) REVISION: _____	
MACHINED SURFACES	$\sqrt[125]{\text{MAX}}$		
GROUND SURFACES	$\sqrt[32]{\text{MAX}}$	0.X ±0.05	
ANGLE TOLERANCE	±1°	0.XX ±0.01	
REMOVE BURRS & SHARP EDGES TO .015 MAX.		0.XXX ±0.005	
DIMENSIONS SHOWN IN OVALS ARE INSPECTION DIMENSIONS.			